

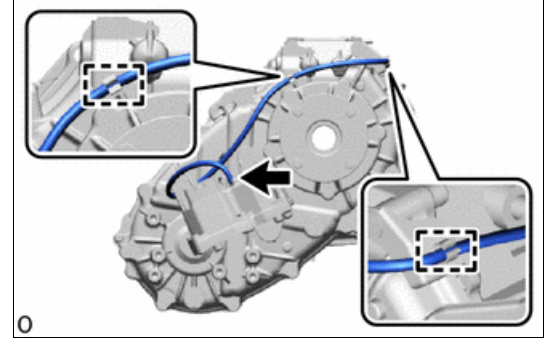
<b>Last Modified:</b> 06-18-2025	6.11:8.1.0	<b>Doc ID:</b> RM100000000VEEO
<b>Model Year Start:</b> 2016	<b>Model:</b> Tacoma	<b>Prod Date Range:</b> [08/2015 - ]
<b>Title:</b> VF2CM (TRANSFER): TRANSFER ASSEMBLY: DISASSEMBLY; 2016 - 2023 MY Tacoma [08/2015 - ]		

## DISASSEMBLY

### PROCEDURE

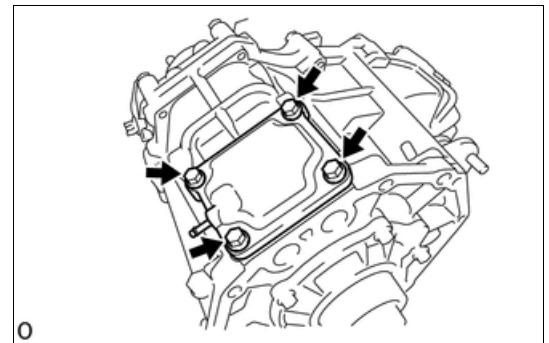
#### 1. REMOVE ACTUATOR BREATHER HOSE

- (a) Disconnect the connection to the transfer shift actuator assembly, detach the 2 clamps, and then remove the actuator breather hose.

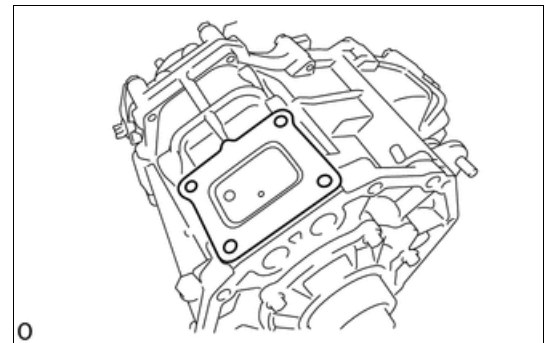


#### 2. REMOVE TRANSFER CASE COVER SUB-ASSEMBLY

- (a) Remove the 4 bolts and transfer case cover sub-assembly.



- (b) Remove the breather oil deflector.



#### 3. REMOVE OUTPUT SHAFT COMPANION FLANGE SUB-ASSEMBLY (for Front Side)

- (a) Using a chisel and hammer, loosen the staked part of the transfer output shaft companion flange nut.

##### **NOTICE:**

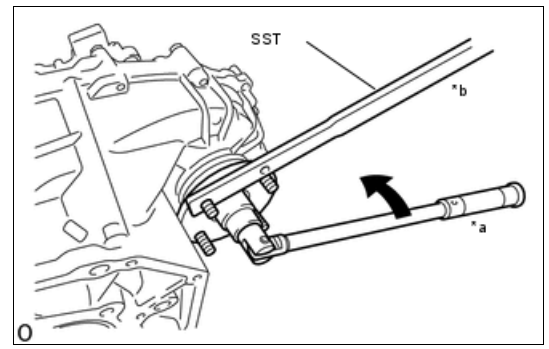
- Completely loosen the staked part of the lock nut when removing it.
- Do not damage the threads of the driven sprocket.

- (b) Using SST to hold the output shaft companion flange sub-assembly, remove the transfer output shaft companion flange nut.

**SST: 09330-00021**

**Text in Illustration**

*a	Turn
*b	Hold



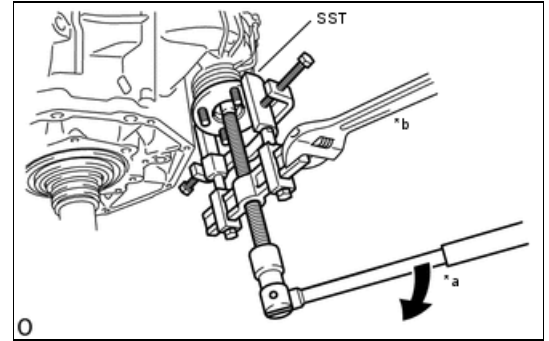
(c) Using SST, remove the output shaft companion flange sub-assembly.

**SST: 09950-40011**

- 09951-04020
- 09952-04010
- 09953-04030
- 09954-04010
- 09955-04031
- 09957-04010
- 09958-04011

**Text in Illustration**

*a	Turn
*b	Hold



**NOTICE:**

Apply a lubricant to the threads and end of SST.

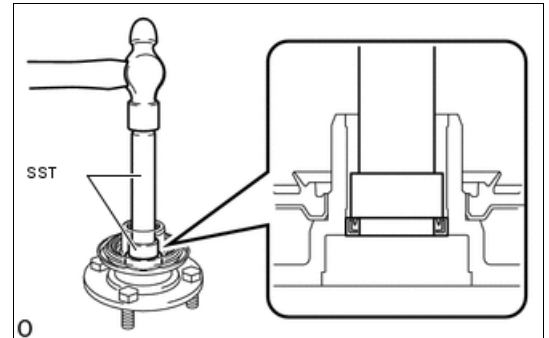
(d) Using SST and hammer, remove the transfer output shaft companion flange oil seal.

**SST: 09950-60010**

- 09951-00220
- 09951-00290
- 09952-06010
- SST: 09950-70010**
- 09951-07100

**NOTICE:**

Be careful not to damage the transfer output shaft companion flange oil seal and output shaft companion flange sub-assembly contact surfaces.



**4. REMOVE TRANSFER CASE OIL SEAL**

INFO

**5. REMOVE OUTPUT SHAFT COMPANION FLANGE SUB-ASSEMBLY (for Rear Side)**

(a) Using a chisel and hammer, loosen the staked part of the transfer output shaft companion flange nut.

**NOTICE:**

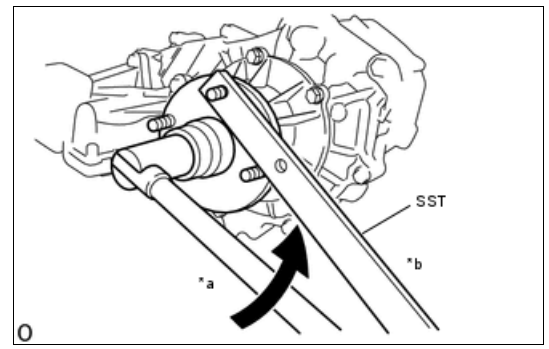
- Completely loosen the staked part of the transfer output shaft companion flange nut when removing it.
- Do not damage the threads of the rear transfer output shaft.

(b) Using SST to hold the output shaft companion flange sub-assembly, remove the transfer output shaft companion flange nut and transfer output shaft O-ring.

**SST: 09330-00021**

**Text in Illustration**

*a	Turn
*b	Hold



(c) Using SST, remove the output shaft companion flange sub-assembly.

**SST: 09950-40011**

09951-04020

09952-04010

09953-04030

09954-04010

09955-04031

09957-04010

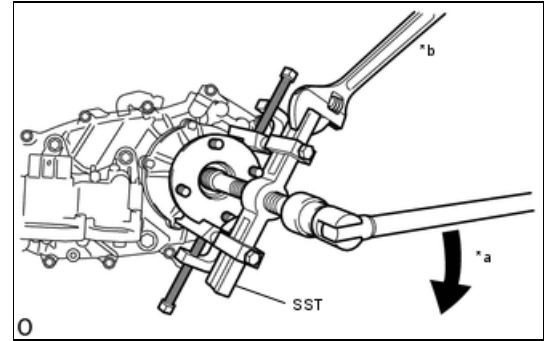
09958-04011

**Text in Illustration**

*a	Turn
*b	Hold

**NOTICE:**

Apply a lubricant to the threads and end of SST.



**6. REMOVE TRANSFER EXTENSION HOUSING TYPE T OIL SEAL**

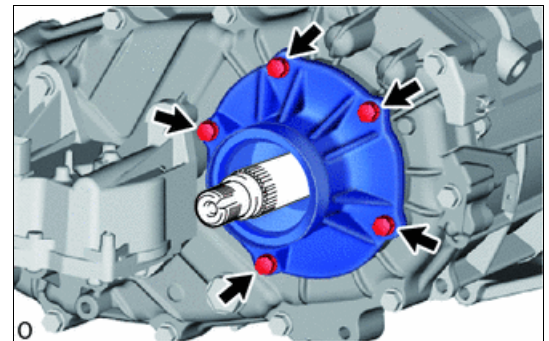
INFO

**7. REMOVE TRANSFER EXTENSION HOUSING**

(a) Remove the 5 bolts and transfer extension housing.

**HINT:**

If necessary, tap the transfer extension housing with a plastic-faced hammer to remove it.

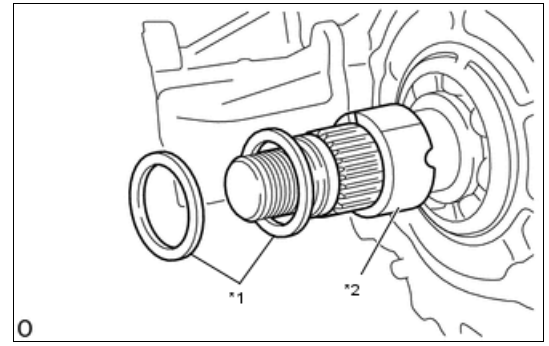


**8. REMOVE TRANSFER OUTPUT SHAFT WASHER**

(a) Remove the 2 transfer output shaft washers.

**Text in Illustration**

*1	Transfer Output Shaft Washer
*2	No. 2 Transfer Output Shaft Spacer



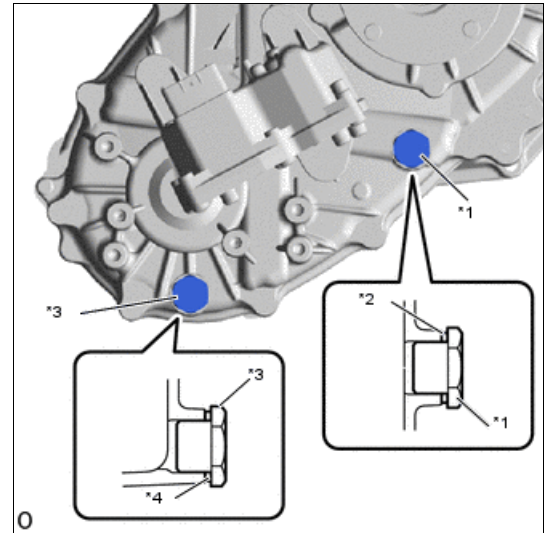
(b) Remove the No. 2 transfer output shaft spacer.

**9. REMOVE NO. 1 TRANSFER CASE PLUG**

(a) Remove the No. 1 transfer case plug (filler plug) and No. 1 transfer case gasket.

**Text in Illustration**

*1	No. 1 Transfer Case Plug (Filler Plug)
*2	No. 1 Transfer Case Gasket
*3	Transfer Drain Plug
*4	Transfer Drain Plug Gasket



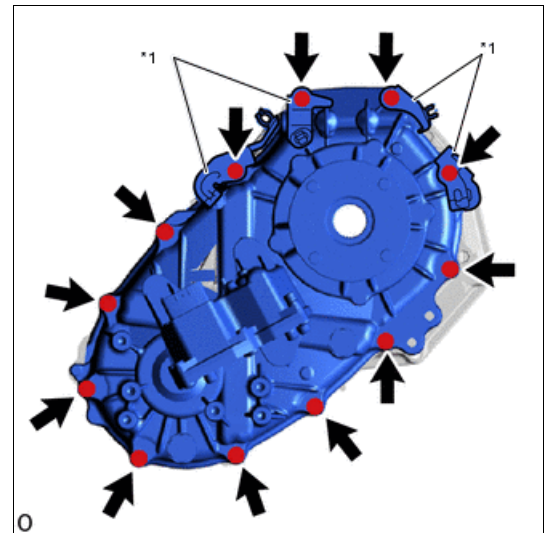
(b) Remove the transfer drain plug and transfer drain plug gasket.

**10. REMOVE REAR TRANSFER CASE**

(a) Remove the 12 bolts and 4 brackets.

**Text in Illustration**

*1	Bracket
----	---------



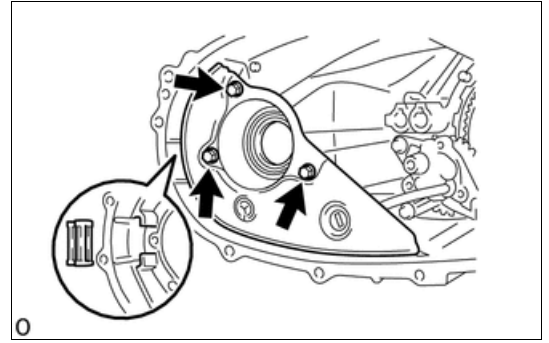
(b) Remove the rear transfer case.

**HINT:**

If necessary, tap the rear transfer case with a plastic-faced hammer to remove it.

## 11. REMOVE TRANSFER OIL SEPARATOR SUB-ASSEMBLY

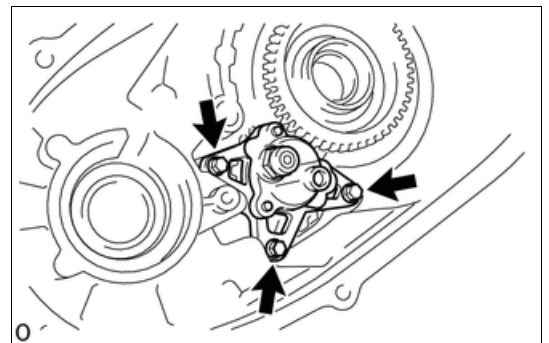
(a) Remove the 3 bolts and transfer oil separator sub-assembly.



(b) Remove the transfer case magnet.

## 12. REMOVE TRANSFER OIL PUMP BODY SUB-ASSEMBLY

(a) Remove the 3 bolts and transfer oil pump body sub-assembly.



(b) Using a screwdriver, remove the transfer oil pump body O-ring.

### Text in Illustration

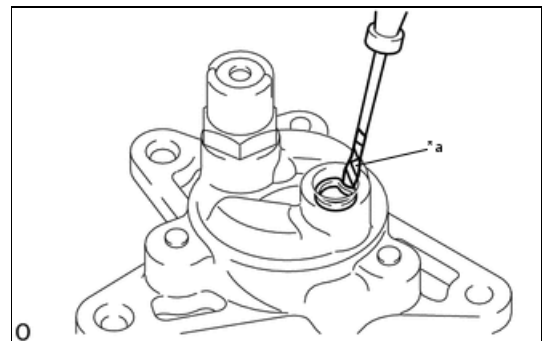
*a	Protective Tape
----	-----------------

### NOTICE:

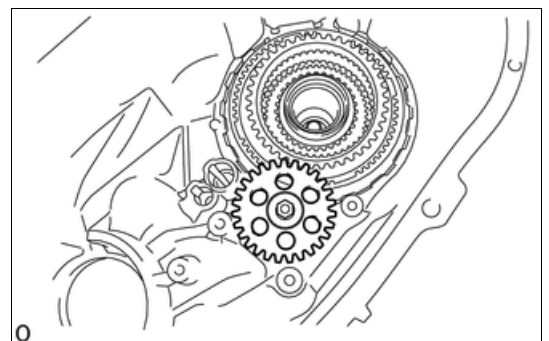
Be careful not to damage the transfer oil pump body sub-assembly.

### HINT:

Tape the screwdriver tip before use.



(c) Remove the transfer oil pump gear.

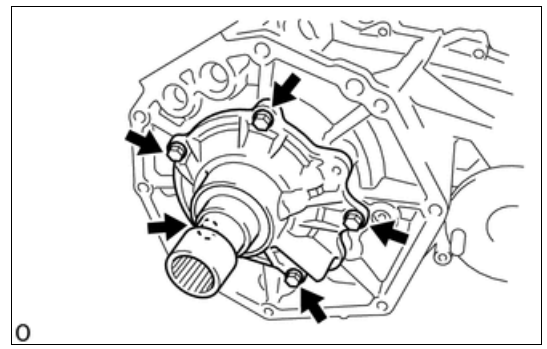


## 13. REMOVE TRANSFER FRONT BEARING RETAINER SUB-ASSEMBLY

(a) Remove the 5 bolts and transfer front bearing retainer sub-assembly.

**HINT:**

If necessary, tap the transfer front bearing retainer sub-assembly with a plastic-faced hammer to remove it.



(b) for RC62F:

(1) Remove the O-ring.

**14. REMOVE TRANSFER FRONT BEARING TYPE T OIL SEAL**

(a) for AC60F, R156F:

Using a screwdriver and hammer, remove the transfer front bearing type T oil seal.

**Text in Illustration**

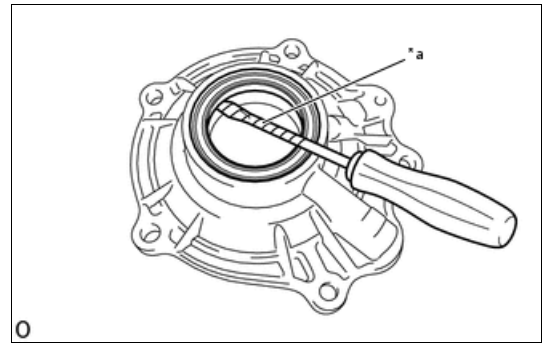
*a	Protective Tape
----	-----------------

**NOTICE:**

Be careful not to damage the transfer front bearing type T oil seal and transfer front bearing retainer sub-assembly contact surfaces.

**HINT:**

Tape the screwdriver tip before use.



(b) for RC62F:

Using a screwdriver and hammer, remove the 2 transfer front bearing type T oil seals.

**NOTICE:**

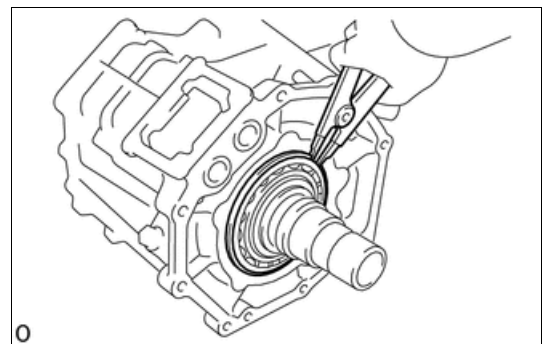
Be careful not to damage the transfer front bearing type T oil seal and transfer front bearing retainer sub-assembly contact surfaces.

**HINT:**

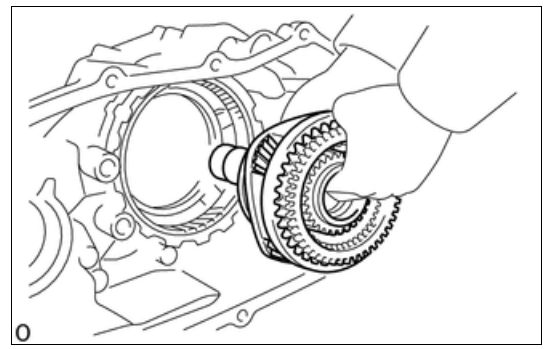
Tape the screwdriver tip before use.

**15. REMOVE TRANSFER LOW PLANETARY GEAR ASSEMBLY**

(a) Using a snap ring expander, remove the transfer low planetary gear bearing shaft snap ring.



(b) Remove the transfer low planetary gear assembly with the transfer input shaft.

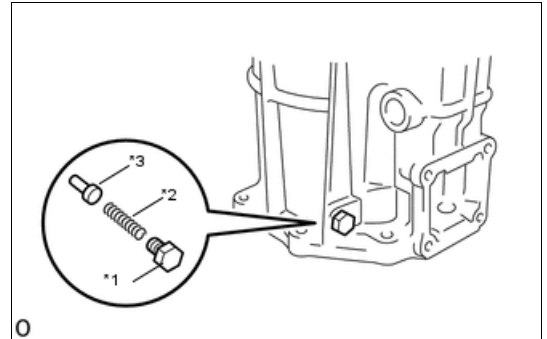


## 16. REMOVE TRANSFER CASE PLUG

(a) Remove the transfer case plug, transfer case compression spring and pin.

### Text in Illustration

*1	Transfer Case Plug
*2	Transfer Case Compression Spring
*3	Pin



## 17. REMOVE TRANSFER LOW PLANETARY RING GEAR

(a) Using a screwdriver, remove the transfer low planetary ring gear hole snap ring.

### Text in Illustration

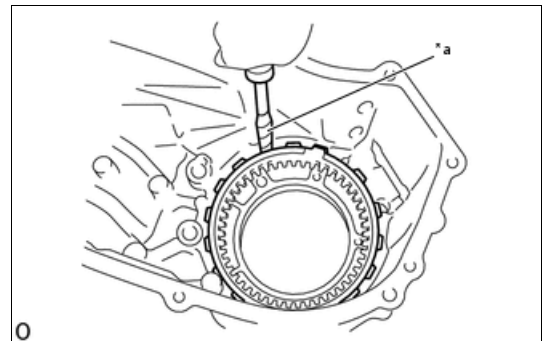
*a	Protective Tape
----	-----------------

#### NOTICE:

Be careful not to damage the front transfer case.

#### HINT:

Tape the screwdriver tip before use.



(b) Remove the transfer low planetary ring gear.

## 18. REMOVE TRANSFER LOW PLANETARY GEAR SPLINE PIECE

(a) Using a screwdriver, remove the transfer low planetary gear shaft snap ring.

### Text in Illustration

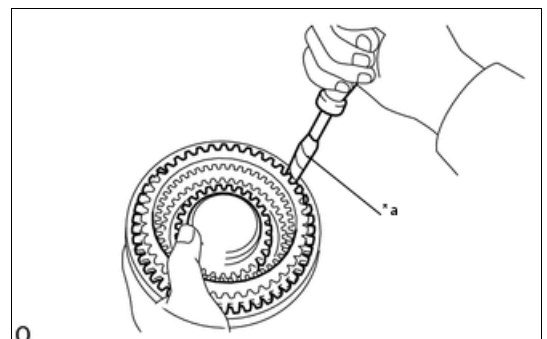
*a	Protective Tape
----	-----------------

#### NOTICE:

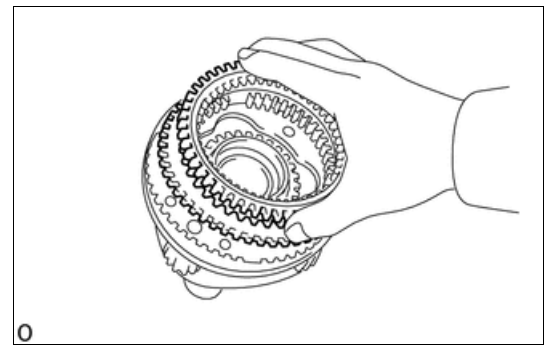
Be careful not to damage the transfer low planetary gear assembly.

#### HINT:

Tape the screwdriver tip before use.



(b) Remove the transfer low planetary gear spline piece.

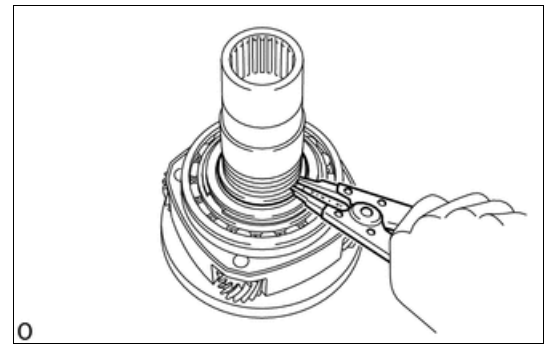


(c) Remove the transfer output shaft front needle roller bearing.



### 19. REMOVE TRANSFER INPUT SHAFT

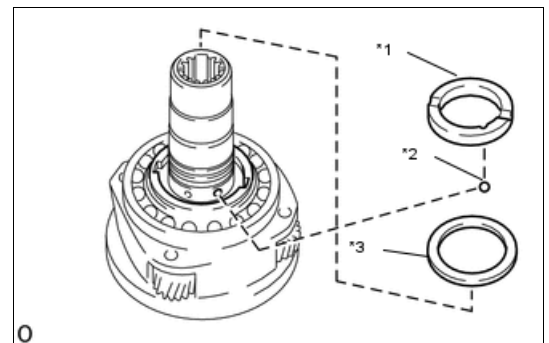
(a) Using a snap ring expander, remove the transfer input gear stopper shaft snap ring.



(b) Remove the transfer input gear stopper and transfer input gear stopper ball.

#### Text in Illustration

*1	Transfer Input Gear Stopper
*2	Transfer Input Gear Stopper Ball
*3	Manual Transfer Planetary Carrier Washer



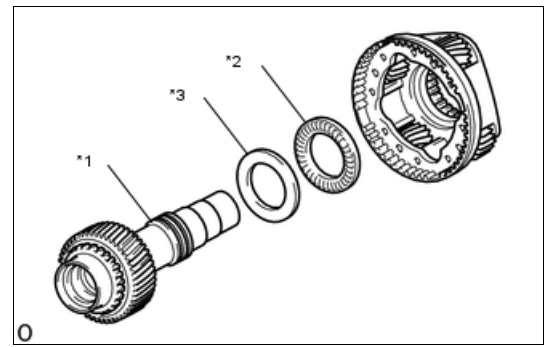
(c) Remove the manual transfer planetary carrier washer.

(d) Remove the transfer input shaft, transfer low planetary gear bearing and No. 1 transfer thrust bearing race.

#### Text in Illustration

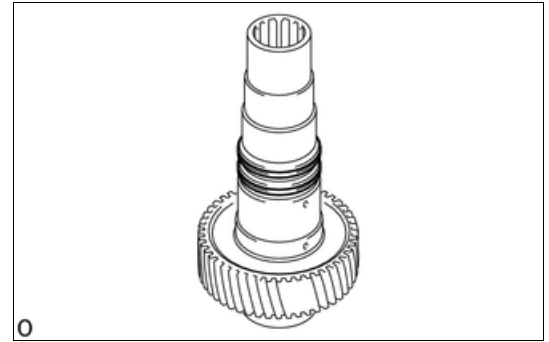
*1	Transfer Input Shaft
----	----------------------

*2	Transfer Low Planetary Gear Bearing
*3	No. 1 Transfer Thrust Bearing Race



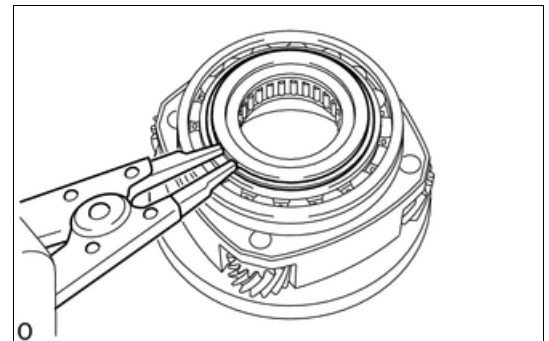
**20. REMOVE NO. 1 TRANSFER INPUT SHAFT SEAL RING**

(a) Remove the 2 No. 1 transfer input shaft seal rings.



**21. REMOVE TRANSFER INPUT SHAFT BEARING**

(a) Using a snap ring expander, remove the transfer input bearing shaft snap ring.



(b) Using SST, remove the transfer input shaft bearing.

**SST: 09555-55010**

**SST: 09950-00030**

**SST: 09950-60020**

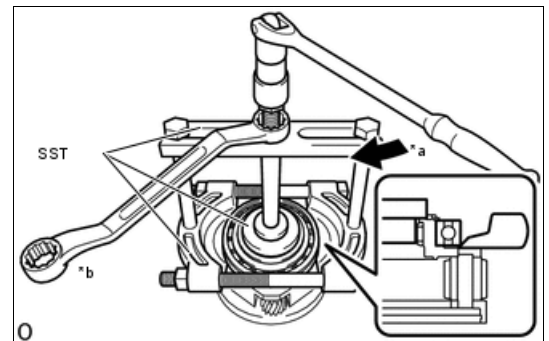
09951-00630

**Text in Illustration**

*a	Turn
*b	Hold

**NOTICE:**

- Be careful not to damage the transfer low planetary gear assembly.
- Apply a lubricant to the threads and end of SST.



**22. REMOVE TRANSFER LOW PLANETARY GEAR BEARING**

(a) Using SST, remove the transfer low planetary gear bearing.

**SST: 09527-10011**

**SST: 09612-65014**

09612-01050

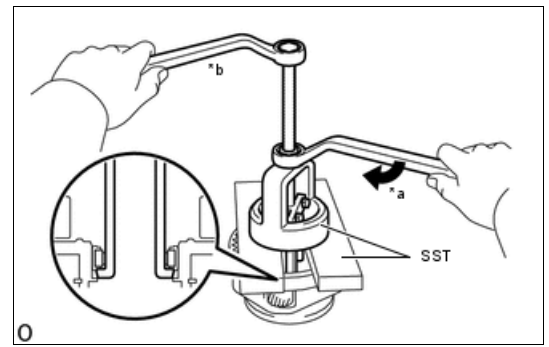
09612-01060

**Text in Illustration**

*a	Turn
*b	Hold

**NOTICE:**

Hook SST securely between the bearing and transfer low planetary gear.



**23. REMOVE TRANSFER FRONT DRIVE SHIFT FORK SHAFT**

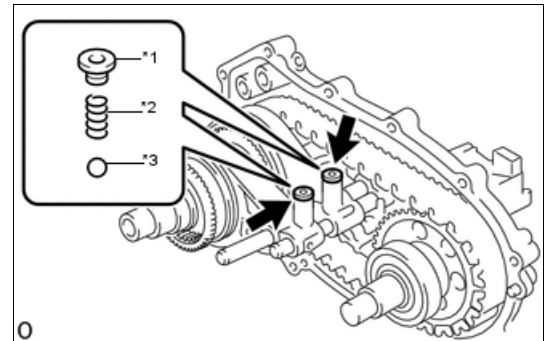
**NOTICE:**

- When using a vise, place aluminum plates between the part and vise.
- When using a vise, do not overtighten it.

(a) Using a 6 mm hexagon wrench, remove the 2 shift detent ball spring plugs.

**Text in Illustration**

*1	Shift Detent Ball Spring Plug
*2	Shift Detent Ball Compression Spring
*3	Shift Detent Ball

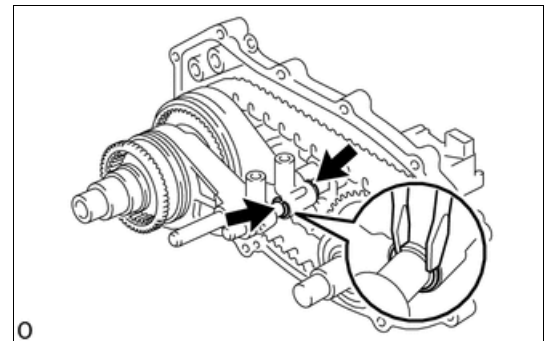


(b) Using a magnet hand, remove the 2 shift detent ball compression springs and 2 shift detent balls.

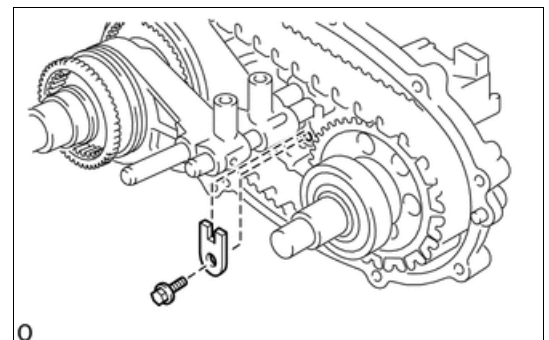
(c) Using 2 screwdrivers and a hammer, remove the 2 transfer gear shift fork shaft snap rings.

**HINT:**

Use a piece of cloth to prevent the transfer gear shift fork shaft snap rings from flying off.



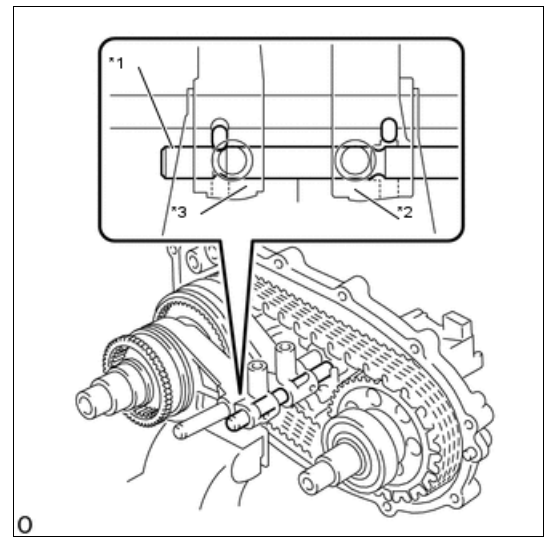
(d) Remove the bolt and transfer shift shaft stopper.



(e) To remove the transfer front drive shift fork shaft, shift the No. 1 transfer gear shift fork and No. 2 transfer gear shift fork to the positions shown in the illustration.

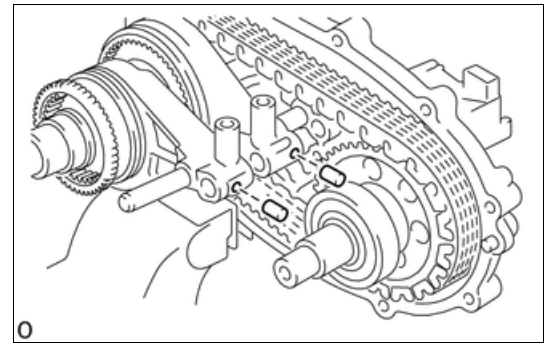
**Text in Illustration**

*1	Transfer Front Drive Shift Fork Shaft
*2	No. 1 Transfer Gear Shift Fork
*3	No. 2 Transfer Gear Shift Fork



(f) Remove the transfer front drive shift fork shaft.

(g) Using a magnet hand, remove the 2 shift interlock pin or rollers.



**24. REMOVE REAR TRANSFER OUTPUT SHAFT, TRANSFER FRONT DRIVE CHAIN, TRANSFER DRIVEN SPROCKET**

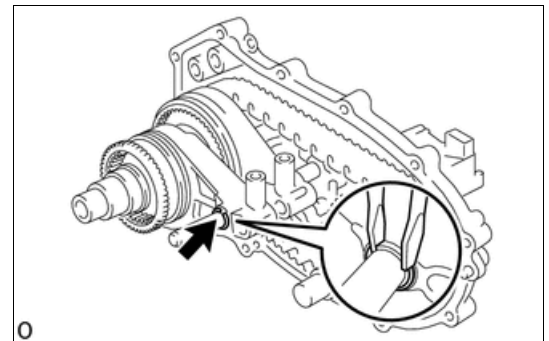
**NOTICE:**

- When using a vise, place aluminum plates between the part and vise.
- When using a vise, do not overtighten it.

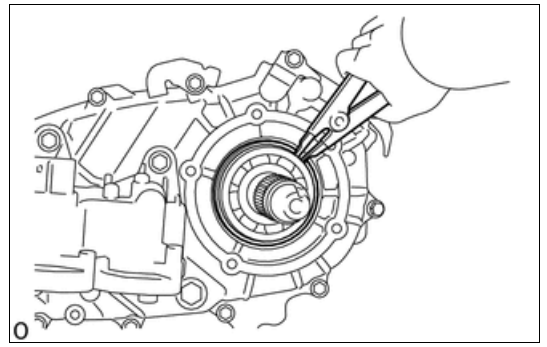
(a) Using 2 screwdrivers and a hammer, remove the transfer gear shift fork shaft snap ring.

**HINT:**

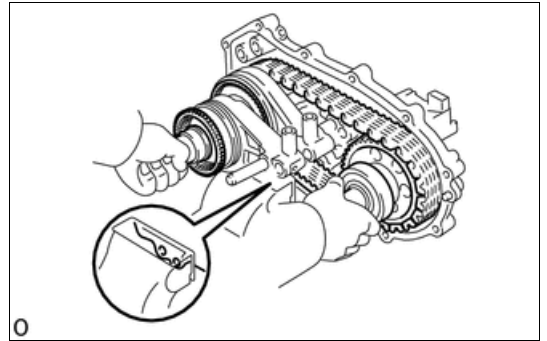
- Use a piece of cloth to prevent the transfer gear shift fork shaft snap ring from flying off.
- Remove only the transfer gear shift fork shaft snap ring on the front side of the transfer shift actuator shaft.



(b) Using a snap ring expander, remove the transfer output shaft shaft snap ring.



- (c) Using a plastic-faced hammer, carefully tap the rear transfer case, and remove the transfer output shaft rear, transfer driven sprocket and transfer front drive chain with the No. 1 transfer gear shift fork and No. 2 transfer gear shift fork.

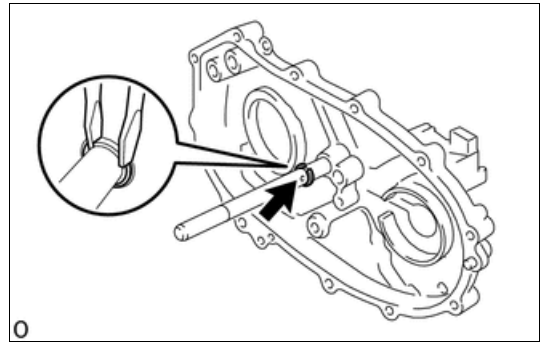


## 25. REMOVE TRANSFER SHIFT ACTUATOR ASSEMBLY

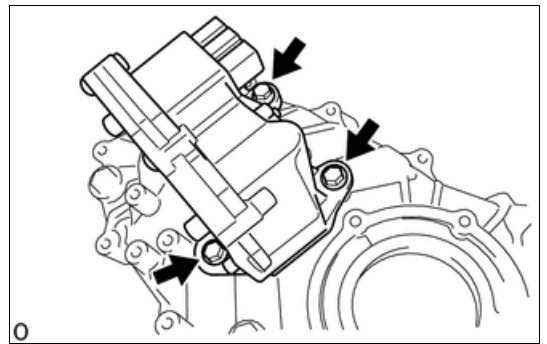
- (a) Using 2 screwdrivers and a hammer, remove the transfer gear shift fork shaft snap ring.

### HINT:

Use a piece of cloth to prevent the transfer gear shift fork shaft snap ring from flying off.



- (b) Remove the 3 bolts and transfer shift actuator assembly.



## 26. REMOVE TRANSFER DRIVEN SPROCKET BEARING

- (a) for Front Side:

- (1) Using SST and a press, remove the transfer driven sprocket bearing.

**SST: 09555-55010**

**SST: 09950-60010**

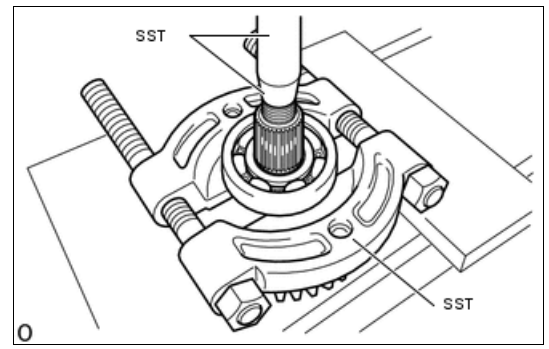
09951-00210

**SST: 09950-70010**

09951-07100

**NOTICE:**

Be careful not to drop or damage the driven sprocket.



(b) for Rear Side:

(1) Using SST and a press, remove the transfer driven sprocket bearing.

**SST: 09555-55010**

**SST: 09950-60010**

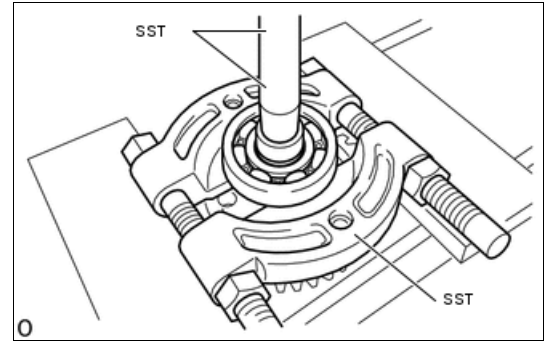
09951-00210

**SST: 09950-70010**

09951-07100

**NOTICE:**

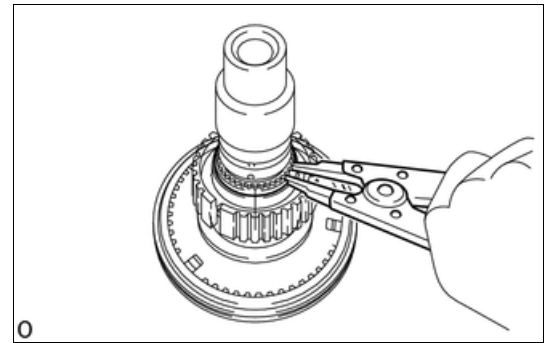
Be careful not to drop or damage the driven sprocket.



**27. REMOVE TRANSFER CLUTCH HUB**

(a) Remove the transfer high and low clutch sleeve.

(b) Using a snap ring expander, remove the transfer clutch hub shaft snap ring.

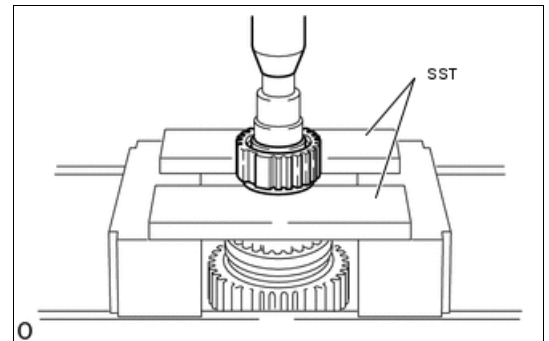


(c) Using SST and a press, remove the transfer clutch hub.

**SST: 09527-10011**

**NOTICE:**

Be careful not to drop or damage the rear transfer output shaft.



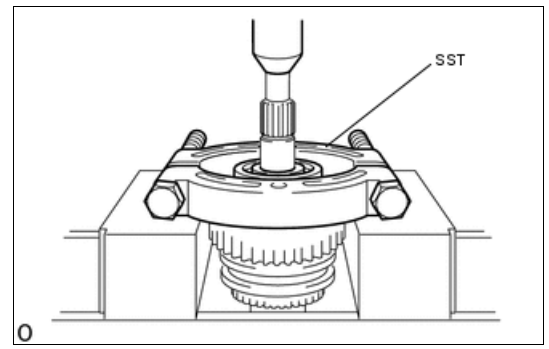
**28. REMOVE TRANSFER DRIVE SPROCKET SUB-ASSEMBLY**

(a) Using SST and a press, remove the rear transfer output shaft radial ball bearing.

**SST: 09555-55010**

**NOTICE:**

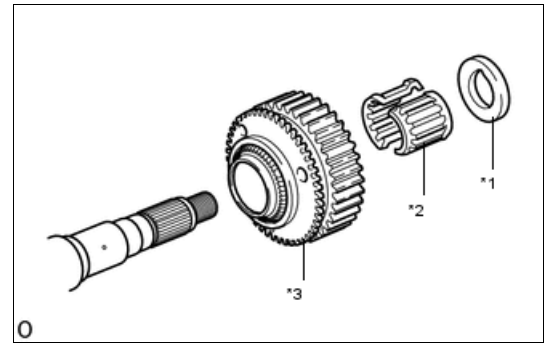
Be careful not to drop or damage the rear transfer output shaft.



(b) Remove the No. 1 transfer output shaft spacer.

**Text in Illustration**

*1	No. 1 Transfer Output Shaft Spacer
*2	Needle Roller Bearing
*3	Transfer Drive Sprocket Sub-assembly

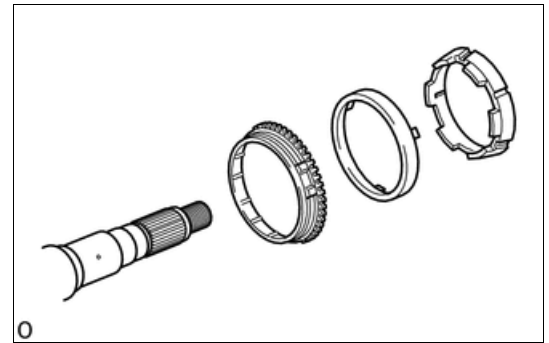


(c) Remove the needle roller bearing.

(d) Remove the transfer drive sprocket sub-assembly.

**29. REMOVE TRANSFER SYNCHRONIZER RING SET**

(a) Remove the transfer synchronizer ring set.



**30. REMOVE FRONT DRIVE CLUTCH SLEEVE**

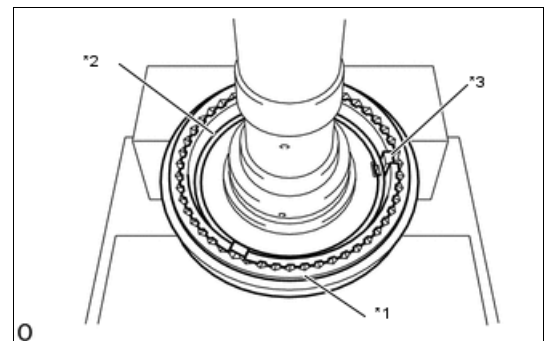
(a) Remove the front drive clutch sleeve.

**Text in Illustration**

*1	Front Drive Clutch Sleeve
*2	Transfer Synchromesh Shifting Key Spring
*3	No. 1 Synchromesh Shifting Key

**NOTICE:**

Be careful not to drop the 3 No. 1 synchromesh shifting keys.



(b) Remove the 2 transfer synchromesh shifting key springs and 3 No. 1 synchromesh shifting keys.

**31. REMOVE TRANSFER DRIVE CLUTCH HUB**

(a) Using SST and a press, remove the transfer drive clutch hub.

**SST: 09527-10011**

**NOTICE:**

Be careful not to drop or damage the rear transfer output shaft.

