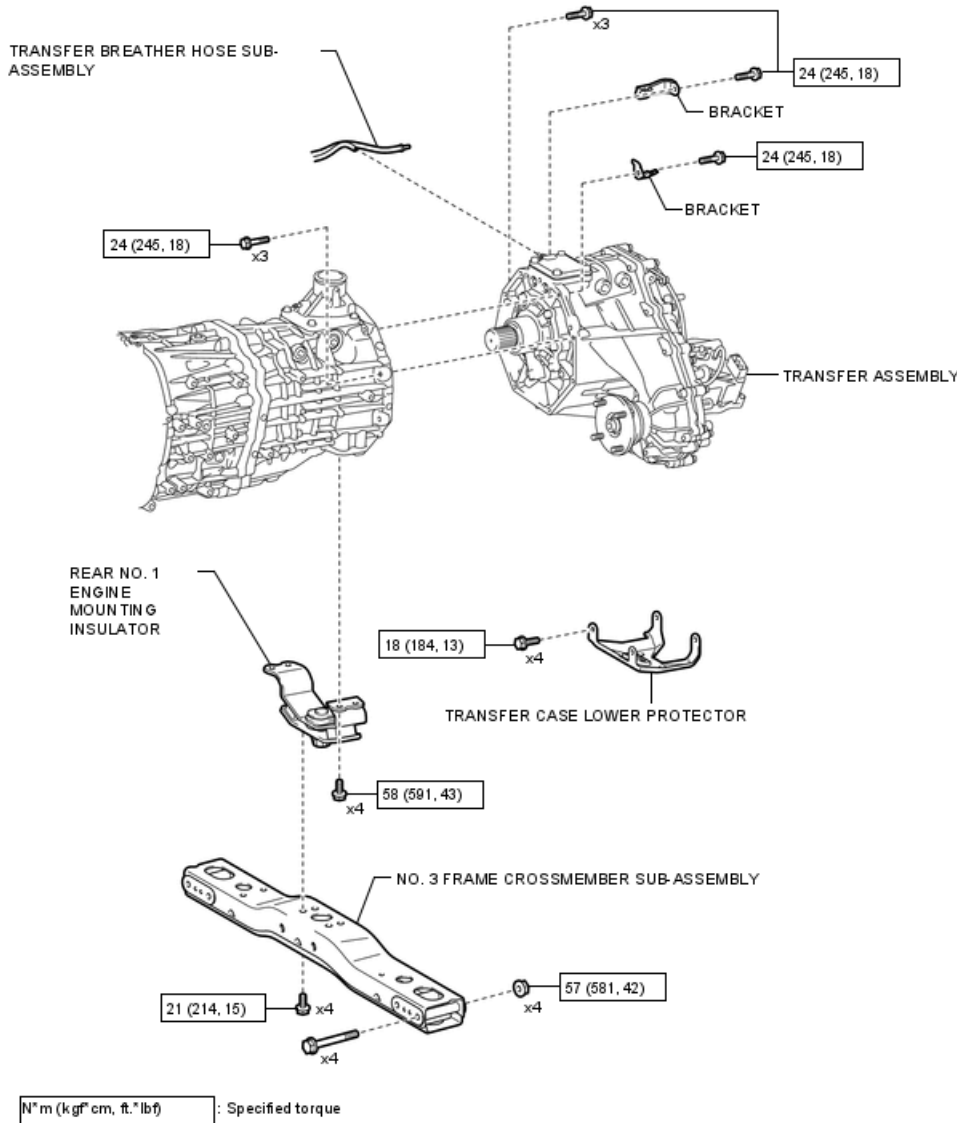


<b>Last Modified:</b> 06-18-2025	6.11:8.1.0	<b>Doc ID:</b> RM100000000VEEM
<b>Model Year Start:</b> 2016	<b>Model:</b> Tacoma	<b>Prod Date Range:</b> [08/2015 - ]
<b>Title:</b> VF2CM (TRANSFER): TRANSFER ASSEMBLY: COMPONENTS; 2016 - 2023 MY Tacoma [08/2015 - ]		

## COMPONENTS

## ILLUSTRATION

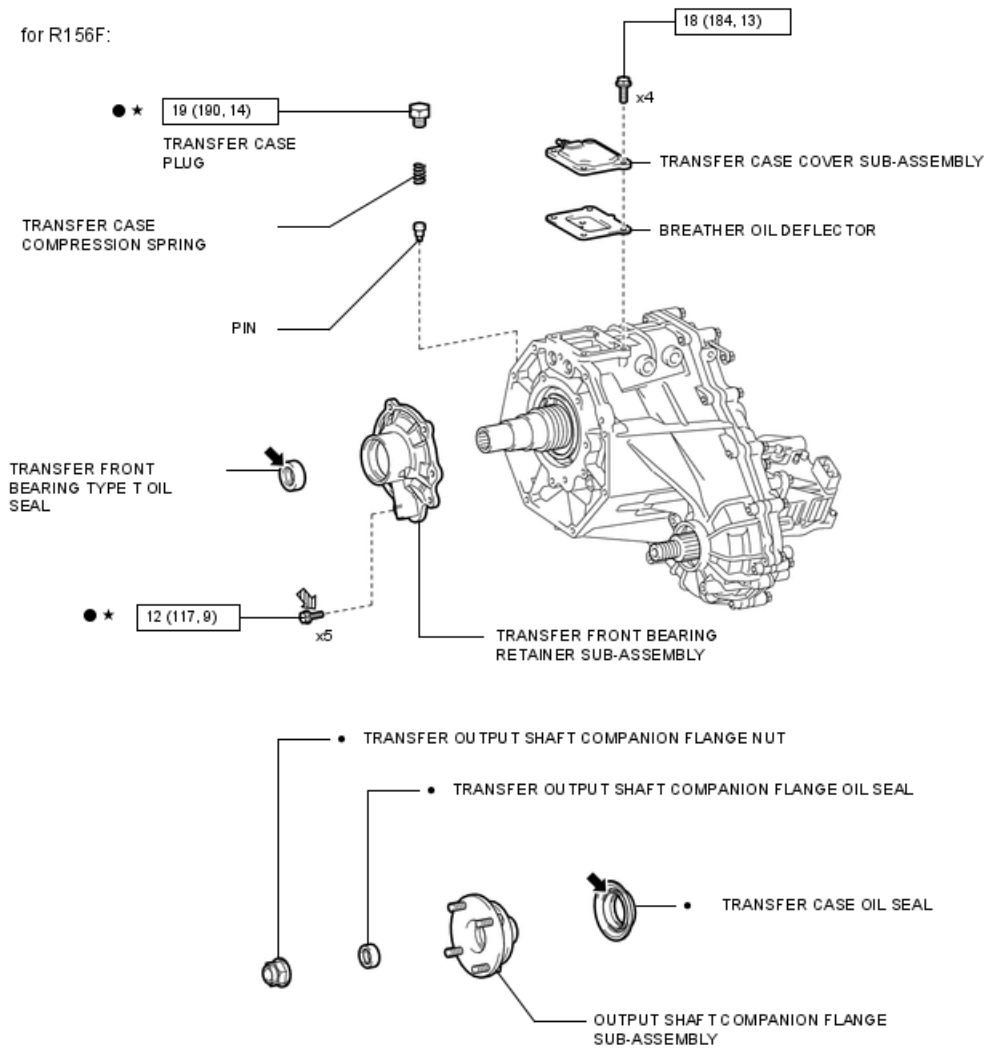
for AC60F:



## ILLUSTRATION

for AC60F:

for R156F:



N\*m (kgf\*cm, ft.\*lbf) : Specified torque

• Non-reusable part

← MP grease

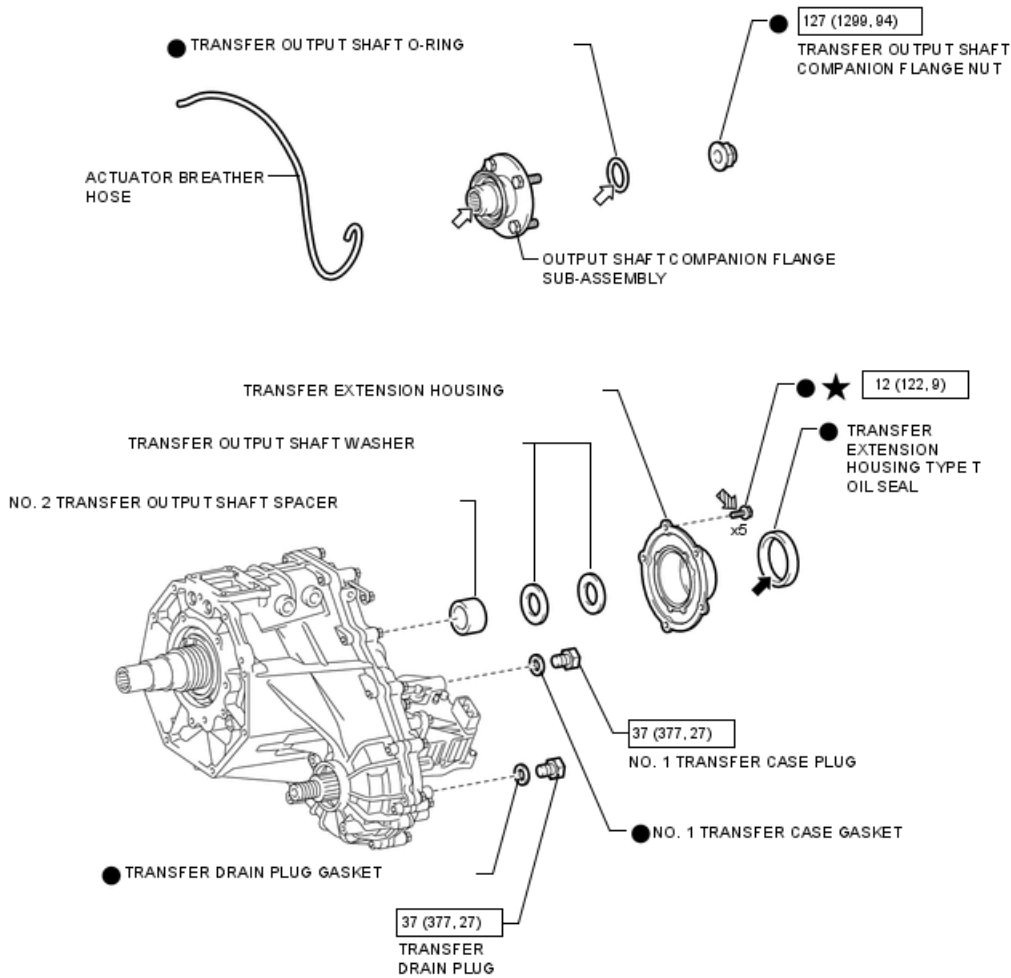
Toyota Genuine Adhesive 1344

\* Precoated part

## ILLUSTRATION

for AC60F:

for R156F:



$\text{N}^{\circ}\text{m}$  (kgf $\cdot$ cm, ft. $\cdot$ lbf) : Specified torque

● Non-reusable part

← MP grease

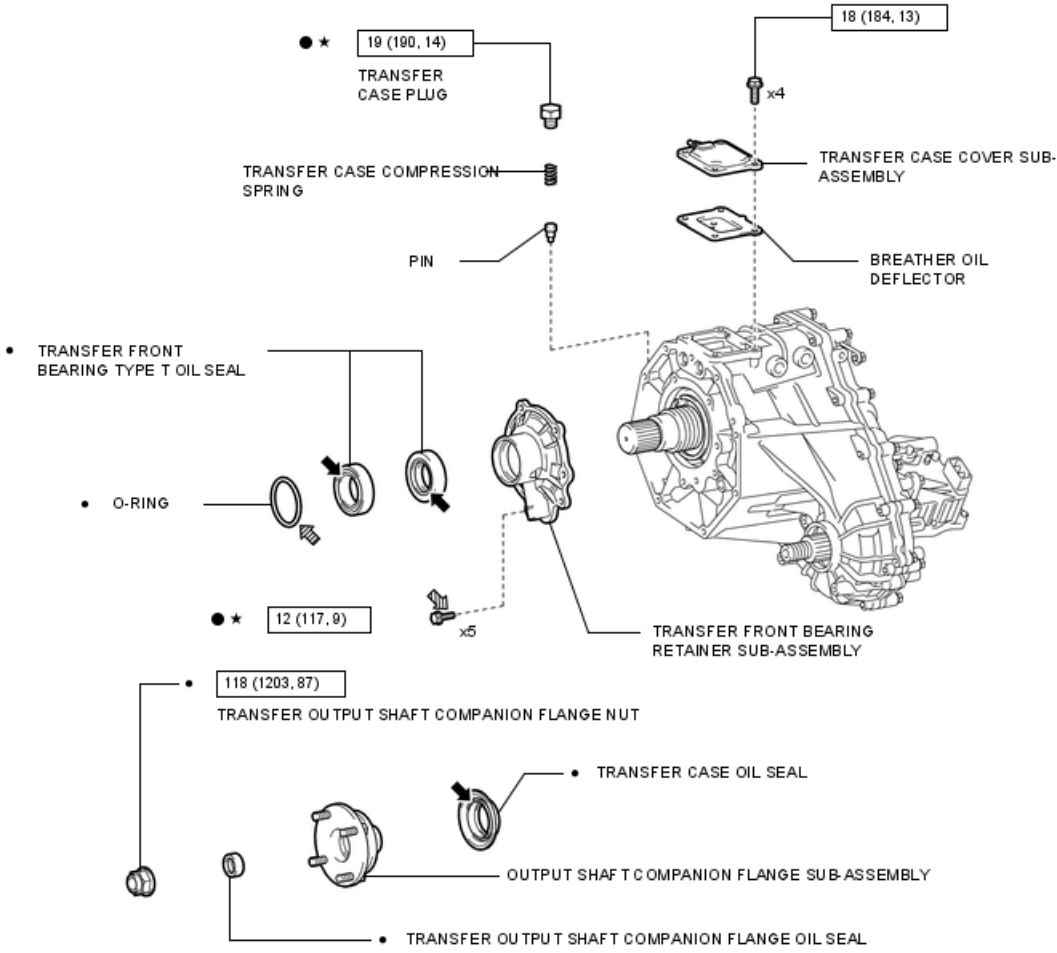
← Transfer Oil

Toyota Genuine Adhesive 1344

★ Pre-coated part

## ILLUSTRATION

for RC62F:



N<sup>m</sup> (kgf<sup>cm</sup>, ft.<sup>lbf</sup>) : Specified torque

● Non-reusable part

← MP grease

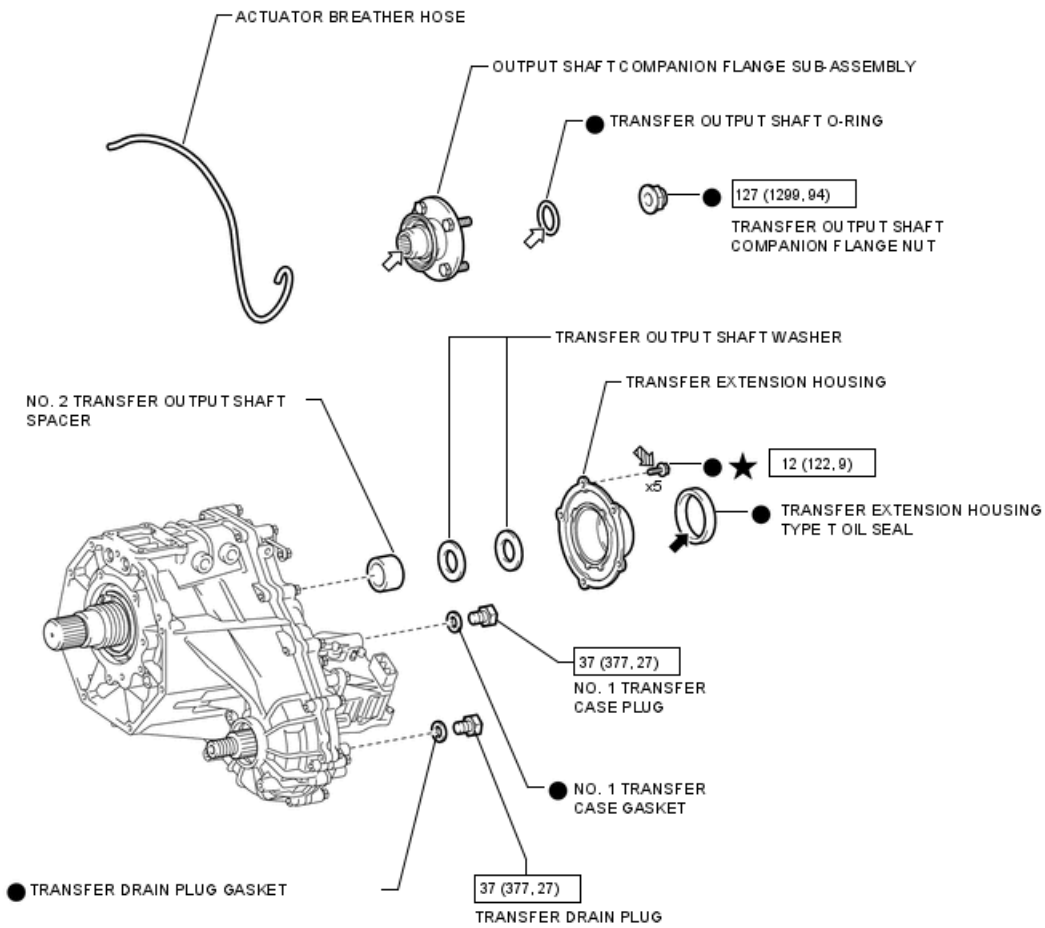
▨ Toyota Genuine Adhesive 1344

◀ Manual Transmission Oil

★ Precoated part

## ILLUSTRATION

for RC62F:



$\boxed{\text{N}^{\circ}\text{m (kgf}^{\circ}\text{cm, ft.}^{\circ}\text{lb)}} : \text{Specified torque}$

● Non-reusable part

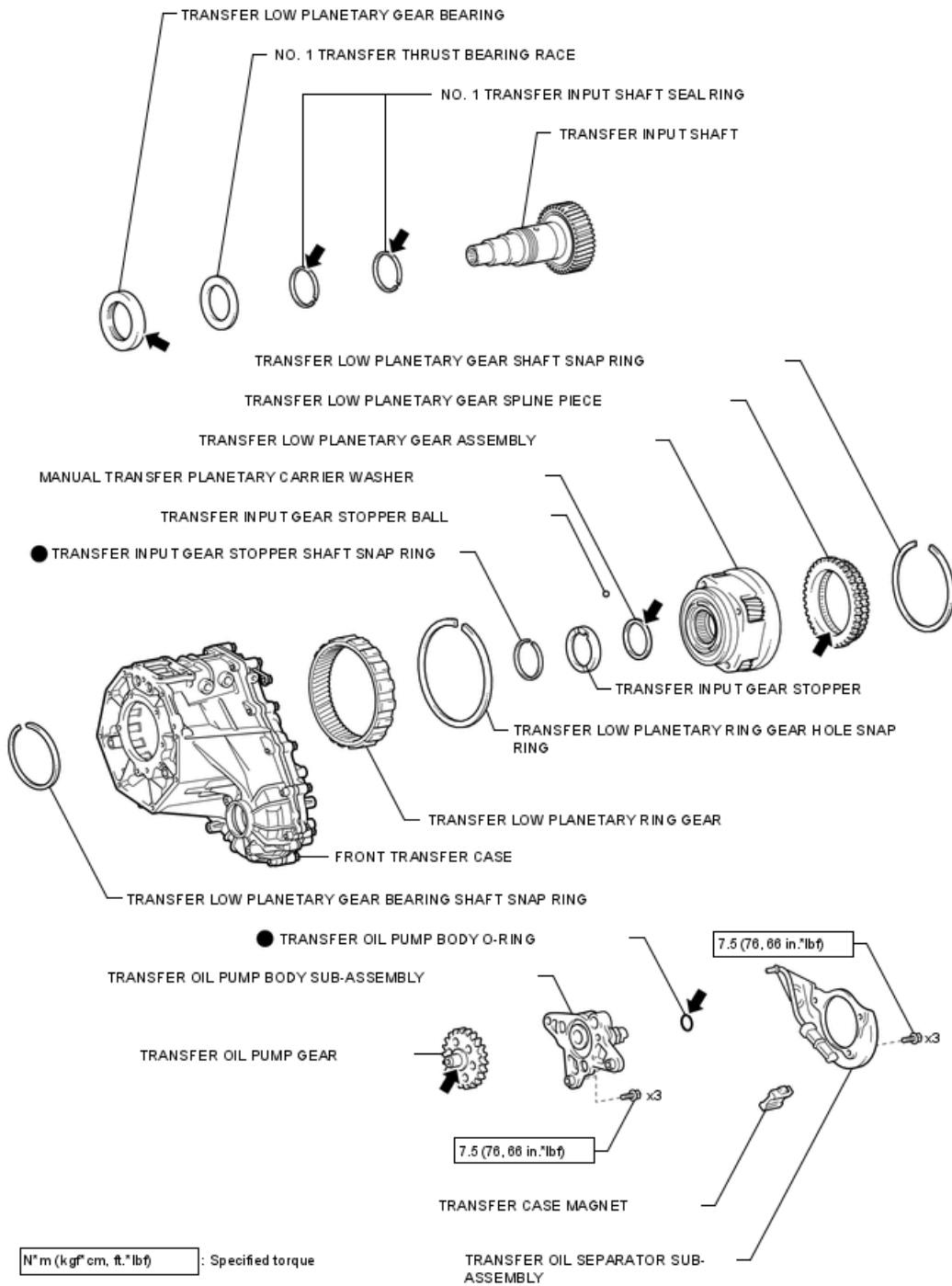
← MP grease

← Transfer Oil

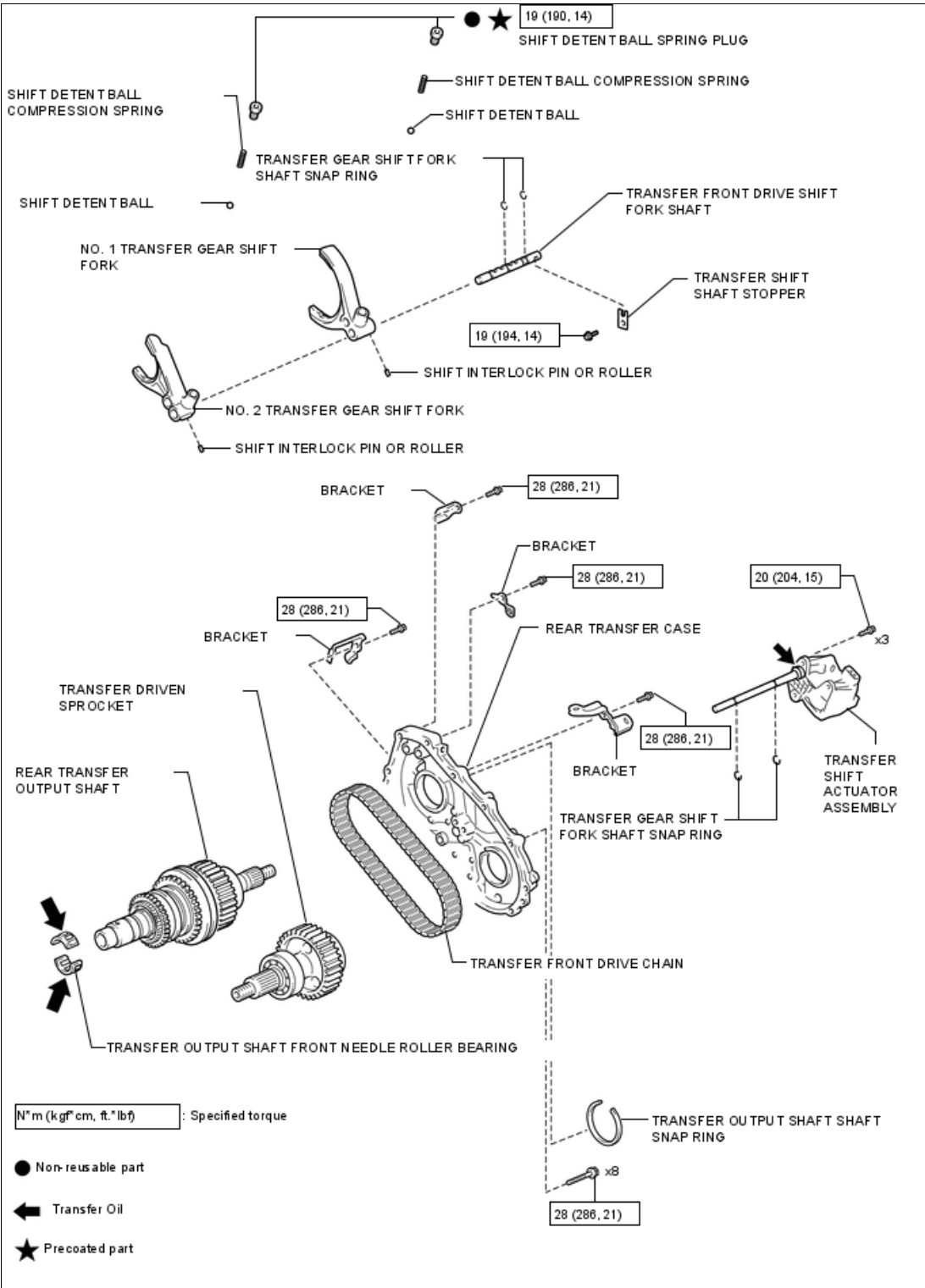
▨ Toyota Genuine Adhesive 1344

★ Precoated part

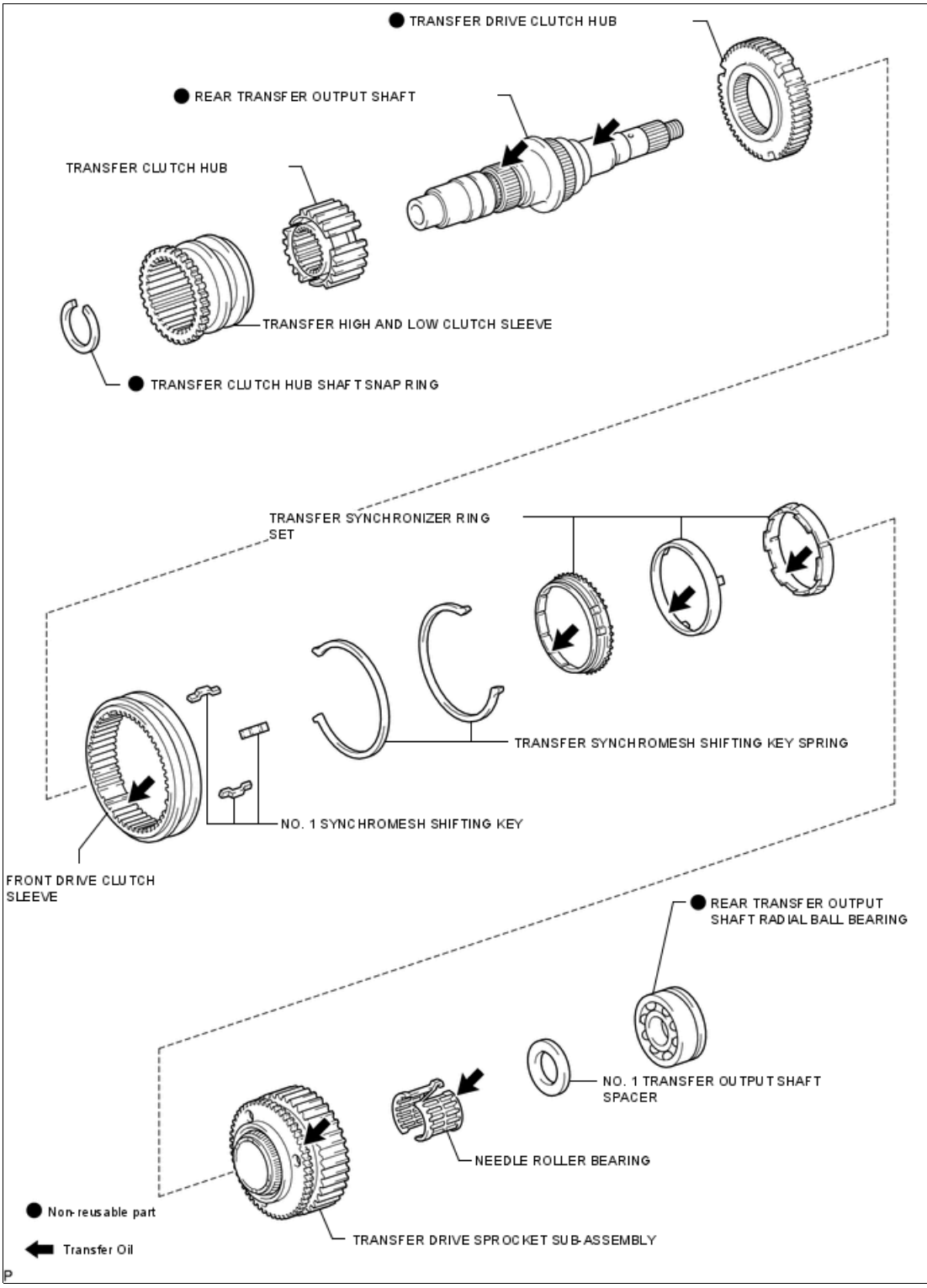
## ILLUSTRATION



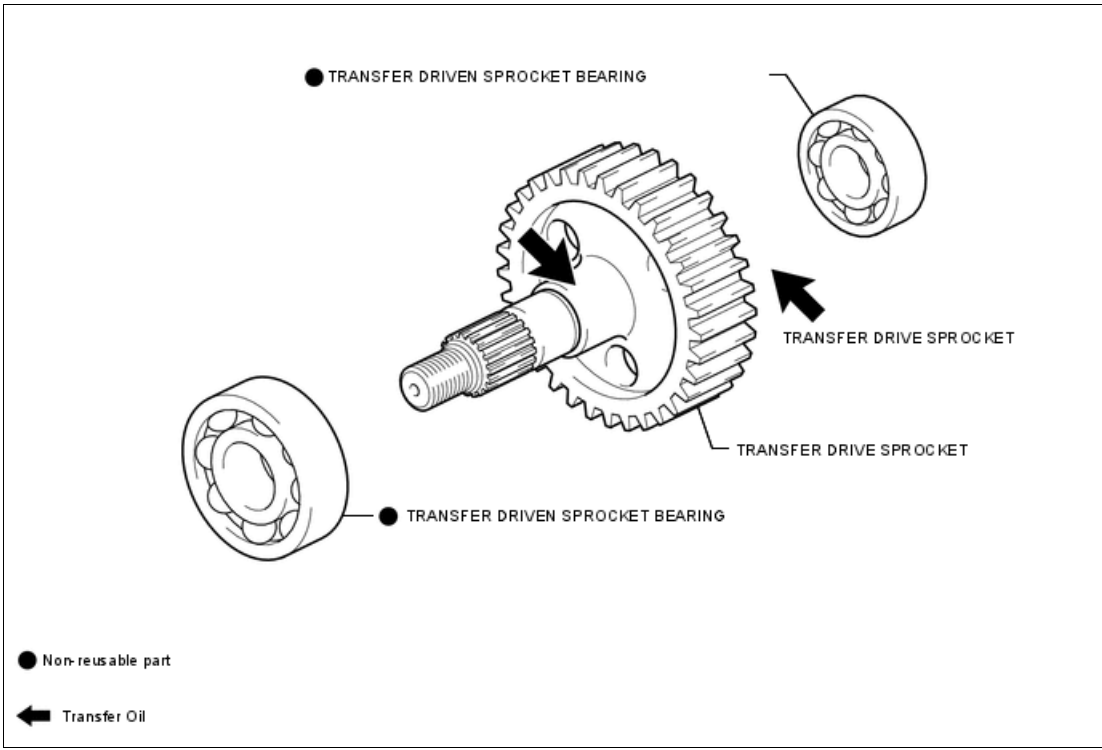
**ILLUSTRATION**



**ILLUSTRATION**



**ILLUSTRATION**



**ILLUSTRATION**

